

VPI LUG TECFLY RANGE - PREMIUM SERIE

TECHNICAL PASSPORT

LUGGED TYPE BUTTERFLY VALVE DUCTILE IRON BODY WITH DOUBLE ACTING PNEUMATIC ACTUATOR

VPI 4649-N03

APPLICATION

VPE butterfly valves are intended for ON/OFF or control use in fluid transfer circuits.

Area of use: water treatment, pumpage, irrigation, industry.



Fluids: cold water, hot water, lightly charged water, liquid discharges, compressed air, alkalis, sodium hydroxide, etc.

«Not suitable for steam application»



GENERAL CHARACTERISTICS

Range: from DN 40 to DN300.

- Lugged type with threaded ears,
- Sealing in both directions of circulation of the piping.
- Soft sleeve guaranteeing a perfect tightness.
- Extended neck compatible with pipe insulation.
- Nickel plated ductile iron disc profiled and reduced in thickness
- Reduced maneuvering torque.
- Disc assembled with 2 non-ajectable half-shaft, square drive.
- Notched sector providing 10 positions of adjustment of the handle.
- ISO 5211 mounting plate allowing the installation of all types of actuators.

STANDARDS

Design	Design according to NF EN 593. Manufacture according to the requirements of the European directive 2014/68/UE «Equipment under pressure»: modulate H.
Face to face	Face to face according to standards NF EN 558 série 20, ISO 5272 série 20.
Connection	Mounting with flanges ISO PN10/16 from DN40 to DN150 and PN10 from DN200 to DN300 according to standard EN1092.
Tests	Pressure test according to standards EN12266-1 and ISO 5208: -Body : 24 bar -Seat : 17.6 bar

PRODUCT APPROVALS

CE EAC Ex On request

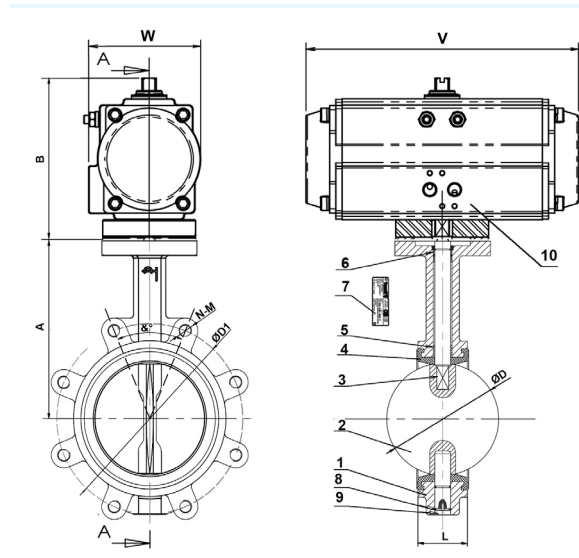
Tecofi France

83 rue Marcel Mérieux - 69960 Corbas
Tél. +33 (0)4 72 79 05 79 - Fax. +33 (0)4 78 90 19 19
E-mail : sales@tecofi.fr - www.tecofi.fr



CONSTRUCTION & DIMENSIONS

Component	Coating
Body (1)	Oven backed epoxy coated RAL5015, 150 microns thickness



Pos.	Q-ty	Description	Material	Equivalences		
				DIN	ASTM	BS
1	1	Body	Ductile iron EN-GJS-500-7	GGG50	A536 70-50-05	EN-JS1050
2	1	Disc	GX5CrNiMo19-11-2	G-X6CrNiMo18 10	A 351 Grade CF8M	1504 316 C16
3	2	Shaft	Stainless steel 410			
4	1	Sleeve	Heat EPDM			
5	4	Bushing	PTFE			
6	1	O ring	NBR			
7	1	Nameplate	Stainless steel 304	X5CrNi 18 10	A 182 AISI 304	1449-2 304 S15
8	1	Circlips	Steel			
9	1	Bottom cover	Plastic			
10	1	Pneumatic actuator				

DN		A	B	L	Ø D	Ø D1	N-M	&°	W	V	Actuator model	Weight (kg)
mm	inch											
40	1"1/2	120	112	33	39.2	110	4-M16	90°	67.5	146	TDA-052	3.5
50	2"	140	112	43	52.9	125	4-M16	90°	67.5	146	TDA-052	4.1
65	2"1/2	150	128	46	64.5	145	4-M16	90°	80.5	169	TDA-063	5.4
80	3"	156	128	46	78.8	160	8-M16	90°	80.5	169	TDA-063	6.5
100	4"	175	146	52	104	180	8-M16	45°	97	210	TDA-083	8.7
125	5"	190	146	56	123.3	210	8-M16	45°	97	210	TDA-083	12.2
150	6"	211	154	56	155.1	240	8-M20	45°	103	264	TDA-092	14.8
200	8"	235	207	60	202.5	295	8-M20	45°	134.5	302	TDA-125	28.4
250	10"	265	224	68	250.5	350	12-M20	30°	142	398	TDA-140	40.2
300	12"	305	249	78	301.5	400	12-M20	30°	161	456	TDA-160	56.4

Tecofi France

83 rue Marcel Mérieux - 69960 Corbas
 Tél. +33 (0)4 72 79 05 79 - Fax. +33 (0)4 78 90 19 19
 E-mail : sales@tecofi.fr - www.tecofi.fr



WORKING CONDITIONS

Maximum working pressure : 16 bar
(6 bar for compressed air)
Maximum working temperature : -15°C / +130°C
Peak temperature : -30°C / +150°C

Types of sleeve in option

Tightness	Maximum temperature	Peak temperature
EPDM	Tmax : +4°C / +110°C	- 20°C / +130°C
White EPDM	Tmax : +4°C / +110°C	- 20°C / +130°C
CSM (Type Hypalon ®)	Tmax : +4°C / +80°C	- 20°C / +110°C
FPM (Type Viton®)	Tmax : -10°C / +170°C	- 20°C / +200°C
Silicone	Tmax : -20°C / +170°C	- 40°C / +200°C
Nitrile (NBR)	Tmax : -10°C / +80°C	- 20°C / +90°C

The photographs and technical art works are not contractual. The specifications of the presented products are open to modifications without previous advice.